

# PRODUCT INFORMATION PACKET



Model No: C6T17XC30A

Catalog No: 117853.00

..3/4HP..1800RPM.56C.EPFC.230/460V.3PH.60HZ.CONT.40C.1.0SF.C-FACE.....EX-PROOF.....

Explosion Proof



Regal and Leeson are trademarks of Regal Beloit Corporation or one of its affiliated companies.

©2018 Regal Beloit Corporation, All Rights Reserved. MC017097E





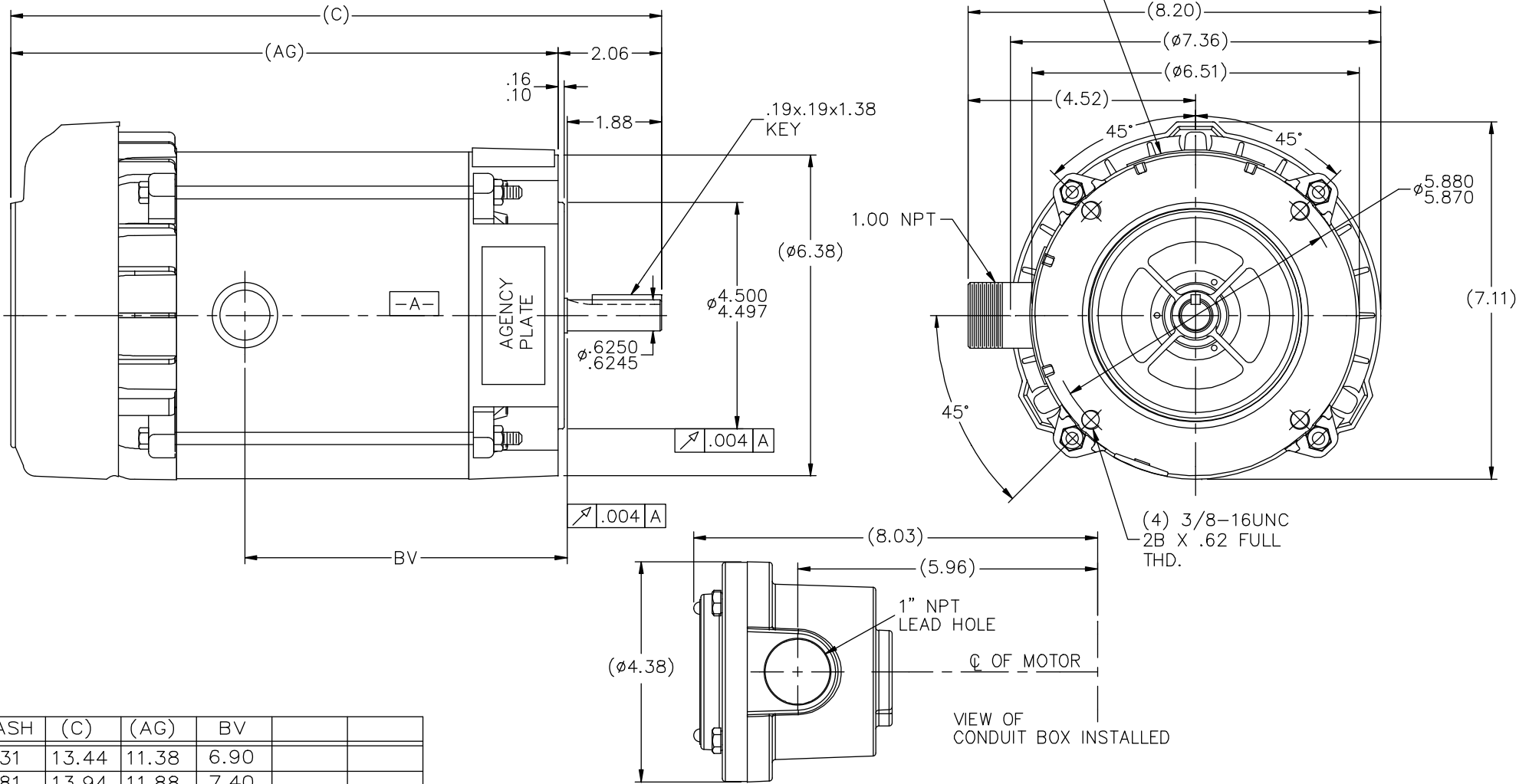
### Nameplate Specifications

Output HP	<b>0.75 Hp</b>	Output KW	<b>0.56 kW</b>
Frequency	<b>60 Hz</b>	Voltage	<b>208-230/460 V</b>
Current	<b>2.9-3.0/1.5 A</b>	Speed	<b>1725 rpm</b>
Service Factor	<b>1</b>	Phase	<b>3</b>
Efficiency	<b>75.5 %</b>	Duty	<b>Continuous</b>
Insulation Class	<b>B</b>	Design Code	<b>B</b>
KVA Code	<b>L</b>	Frame	<b>56C</b>
Enclosure	<b>Explosion Proof Fan cooled</b>	Overload Protector	<b>No</b>
Ambient Temperature	<b>40 °C</b>	Drive End Bearing Size	<b>6203</b>
Opp Drive End Bearing Size	<b>6203</b>	UL	<b>Recognized</b>
CSA	<b>Y</b>	CE	<b>N</b>
IP Code	<b>54</b>		

### Technical Specifications

Electrical Type	<b>Squirrel Cage Inverter Rated</b>	Starting Method	<b>Line Or Inverter</b>
Poles	<b>4</b>	Rotation	<b>Reversible</b>
Mounting	<b>Round</b>	Motor Orientation	<b>HORIZONTAL</b>
Drive End Bearing	<b>BALL</b>	Opp Drive End Bearing	<b>BALL</b>
Frame Material	<b>Rolled Steel</b>	Shaft Type	<b>NEMA 56</b>
Overall Length	<b>13.94 in</b>	Frame Length	<b>6.81 in</b>
Shaft Diameter	<b>0.625 in</b>	Shaft Extension	<b>1.88 in</b>
Assembly/Box Mounting	<b>F1 ONLY</b>		
Outline Drawing	<b>B-104188LE-681</b>	Connection Diagram	<b>A-EE7308T-LE</b>

NAMEPLATES TO BE READ FROM SHAFT EXT. END.

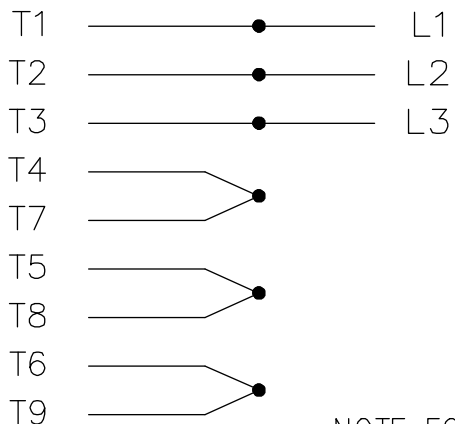


DASH	(C)	(AG)	BV		
631	13.44	11.38	6.90		
681	13.94	11.88	7.40		
731	14.44	12.38	7.90		
781	14.94	12.88	8.40		
831	15.44	13.38	8.90		
881	15.94	13.88	9.40		
931	16.44	14.38	9.90		
981	16.94	14.88	10.40		

		TOLERANCES UNLESS SPECIFIED		LEESON		ELECTRIC MOTORS GEARMOTORS AND DRIVES		DRAWN RJW 06-22-2007	
		DEC.	INCHES					CHK	ML 06-22-2007
		.X	±.1					APPD	GK 06-22-2007
		.XX	±.03			TITLE OUTLINE - 'C' FACE		SCALE	17=32
		.XXX	±.005			56 FR. - EXP. PR.		REF	
01	COND. BOX INSTALLED VIEW UPDATED PER ECR-0044571	UD	10/10/13	ST	.XXXX ±.0005	MAT'L.		FMF	
NO.	REVISION	BY & DATE		CHK	ANG ±7'30"	FINISH		PREV	
THIS DRAWING IN DESIGN AND DETAIL IS OUR PROPERTY AND MUST NOT BE USED EXCEPT IN CONNECTION WITH OUR WORK ALL RIGHTS OF DESIGN AND INVENTION ARE RESERVED THIS IS AN ELECTRONICALLY GENERATED DOCUMENT - DO NOT SCALE THIS PRINT				RFP	06-22-2007	CAD FILE 104188LE		SIZE	DRAWING NO. PAGE OF REV.
				DIST	WP			B	104188LE 01

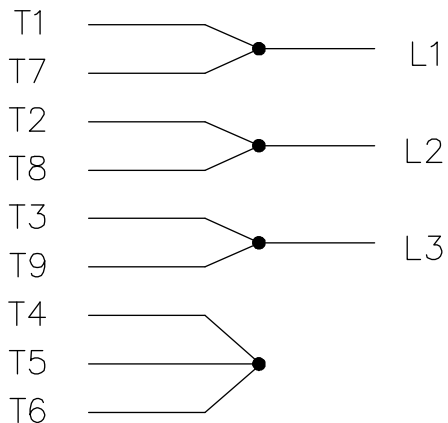
THREE PHASE  
DUAL VOLTAGE MOTOR

HIGH VOLTAGE

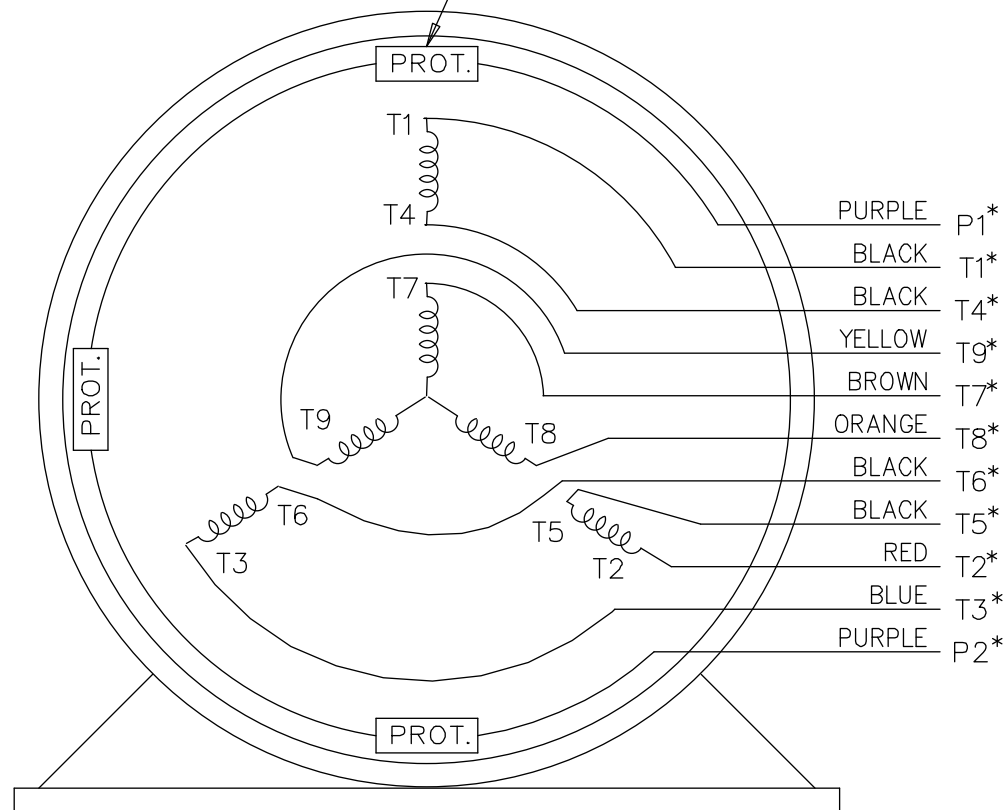


NOTE FOR FACTORY USE ONLY:  
 TO SURGE TEST FOR COMMON CONNECT:  
 HIGH VOLT: CONNECT P1 TO T1  
 THEN P2 TO L1  
 LOW VOLT: CONNECT P1 TO T1 & T7,  
 THEN P2 TO L1

LOW VOLTAGE




THREMO-PROTECTORS  
CONNECTED IN SERIES.



VIEW OF TERMINAL END

\* USE LEADS AS PER PLANT STANDARD IRRWSPECTIVE OF THEIR COLOUR.

NO.	REVISION	BY & DATE	CHK	ANG	TOLERANCES UNLESS SPECIFIED		FINISH	DRAWN TJB 05-07-2002
					DEC.	INCHES		
05	ADDED * NOTE PER ECN # 26921	UD 01-30-2013	JD	DEC.	.X	±.1	 ELECTRIC MOTORS GEARMOTORS AND DRIVES	CHK ML 05-08-2002
04	ADDED COLORS TO "T & P" LEADS CN 40494	MSG 08-08-2006	ML	.XX	±.02	TITLE CONNECTION DIAGRAM		APPD TB 05-08-2002
03	RE-ISSUE	NJS 04-21-2004	JET	.XXX	±.005	3 PHASE - DUAL VOLTAGE MOTOR		SCALE 1=1
02	REDRAWN	TAT 04-20-2004	ML	.XXXX	±.0005	MAT'L.		REF
01	NEW DRAWING CN 34708	TJB 05-08-2002	ML	±7'30"				FMF
			RFP	CAD FILE EE7308T_LE	SIZE A	DRAWING NO. EE7308T-LE	PAGE OF	REV. 05
			DIST LB-WP-LE					

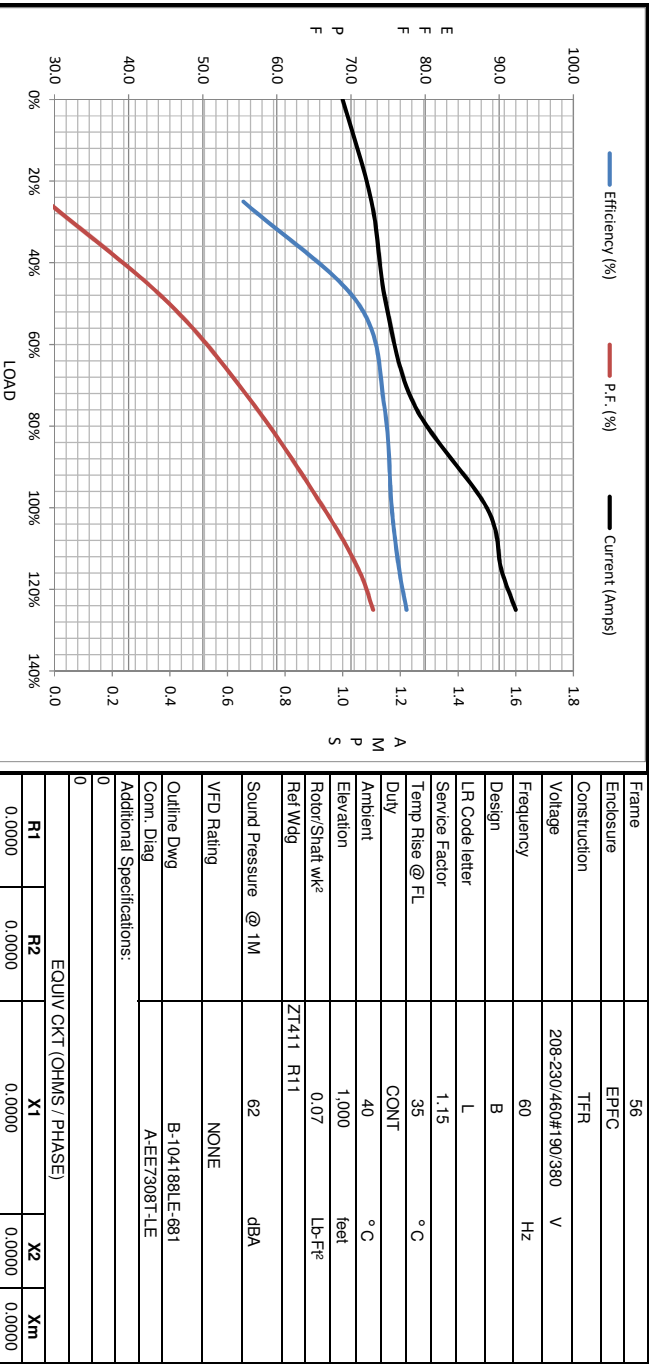
THIS DRAWING IN DESIGN AND DETAIL IS OUR PROPERTY AND MUST NOT BE USED EXCEPT IN CONNECTION WITH OUR WORK ALL RIGHTS OF DESIGN AND INVENTION ARE RESERVED THIS IS AN ELECTRONICALLY GENERATED DOCUMENT - DO NOT SCALE THIS PRINT





Motor Load Data						
Load	0%	25%	50%	75%	100%	LR
Current (Amps)	1.00	1.10	1.15	1.25	1.50	9.3
Torque (ft-lb)	0.00	0.52	1.10	1.70	2.28	8.2
RPM	1800	1785	1770	1750	1725	0
Efficiency (%)		55.5	71.0	74.5	75.5	
P.F. (%)	11.5	29.0	45.5	57.0	66.3	75.0

Motor Speed Data						Information Block									
LR	Pull-Up	BD	Rated	Idle		HP	0.8	1800	56	EPFC	TFR	208-230/460#190/380	V	60	Hz
Speed (RPM)	0	750	1230	1725	1800										
Current (Amps)	9.3	8.4	6.0	1.50	1.00										
Torque (ft-lb)	8.2	7.4	10.0	2.28	0.00										



HP	0.8
Sync. RPM	1800
Frame	56
Enclosure	EPFC
Construction	TFR
Voltage	208-230/460#190/380 V
Frequency	60 Hz
Design	B
LR Code letter	L
Service Factor	1.15
Temp Rise @ FL	35 °C
Duty	CONT
Ambient	40 °C
Elevation	1,000 feet
Rotor/Shaft wk <sup>2</sup>	0.07 LB-Ft <sup>2</sup>
Ref Wdg	Z1411 R11
Sound Pressure @ 1M	62 dBA
VFD Rating	NONE
Outline Dwg	B-104180LE-081
Conn. Diag	A-EE7308T-1E
Additional Specifications:	
0	
EQUIV CKT (OHMS / PHASE)	
R1	R2
0.0000	0.0000
X1	X2
0.0000	0.0000
Xm	
0.0000	

